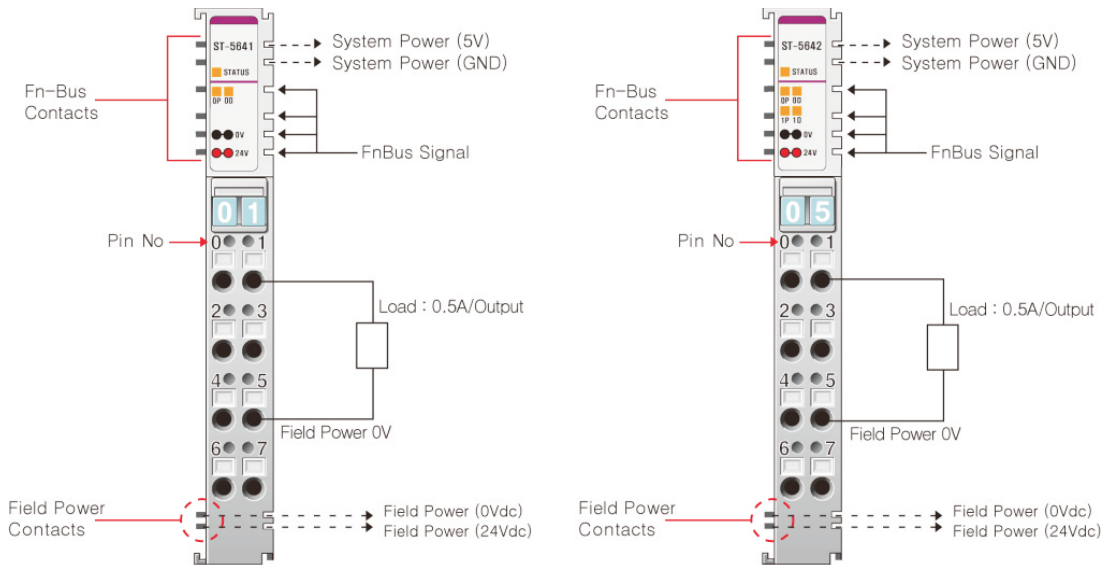


ST-5641, ST-5642

PULSE, 1 Channel Output, 0.5A/24Vdc, Source (ST-5641) 2 Channels Output, 0.5A/24Vdc, Source (ST-5642)



Item	ST-5641	ST-5642
Output Specification		
Number of Channel	1 Channel, Source Type	2 Channel, Source Type
Number of Output	2 Output / Channel 2 Output (1 Pulse Output, 1 Pulse Direction Output)	2 Output / Channel 4 Output (2 Pulse Output, 2 Pulse Direction Output)
Indicators	1 Green/Red Fn-Bus Status 1 Pulse Output LED, 1 Pulse Direction Output LED	1 Green/Red Fn-Bus Status 2 Pulse Output LED, 2 Pulse Direction Output LED
Output Current	0.5A/Output, 1A/All Output, short protection	0.5A/Output, 2A/All Output, short protection
Pulse Output Frequency	1 ~ 20,000Hz ± 0.5%	
Pulse Output Duty	50% ± 3.0% Fixed, Ton > 5us, Toff > 5us	
Pulse Output Quantity with One Command	Continuous Pulse Output Max. +1 ~ 32767 : Pulse Direction Output OFF Max. -1 ~ 32767 : Pulse Direction Output ON	
Pulse Output Counter	Signed 32bit-wide	
Diagnostic	Yes, Short Protection	
Common Type	2 Common	
General Specification		
Power Dissipation	Max. 150mA @ 5.0Vdc	
Isolation	I/O to Logic : Photocoupler Isolation I/O to Field Power : Non-Isolation	
Field Power	Supply Voltage : 24 Vdc nominal Voltage Range : 18 ~ 28.8Vdc Power Dissipation : Max. 60mA @ 24Vdc except Load	
Wiring	I/O Cable Max. 2.0mm ² (AWG#14)	
Weight	70g	
Module Size	12mm x 99mm x 70mm	
Environment Condition	Refer to "Environment Specification"(page : 1-191)	
Pin No.	Description	Description
0	Pulse Output Channel#0	Pulse Output Channel#0
1	Pulse Direction Output Channel#0	Pulse Direction Output Channel#0
2	-	Pulse Output Channel#1
3	-	Pulse Direction Output Channel#1
4	Field Power 0V, Common	Field Power 0V, Common
5	Field Power 0V, Common	Field Power 0V, Common
6	Field Power 24V	Field Power 24V
7	Field Power 24V	Field Power 24V
-	-	-
-	-	-
-	-	-
-	-	-
-	-	-
-	-	-
-	-	-
-	-	-
-	-	-
-	-	-